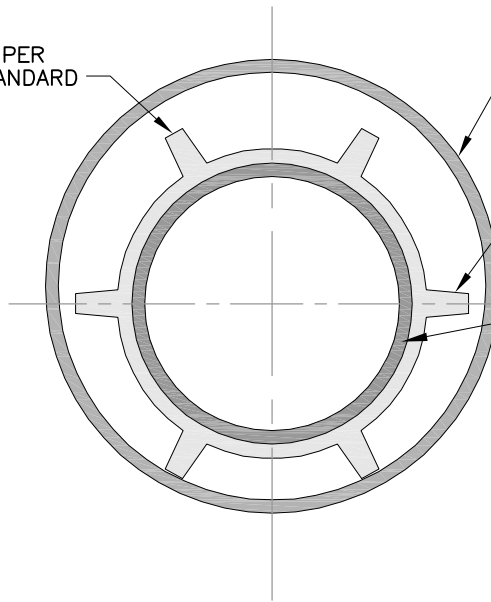


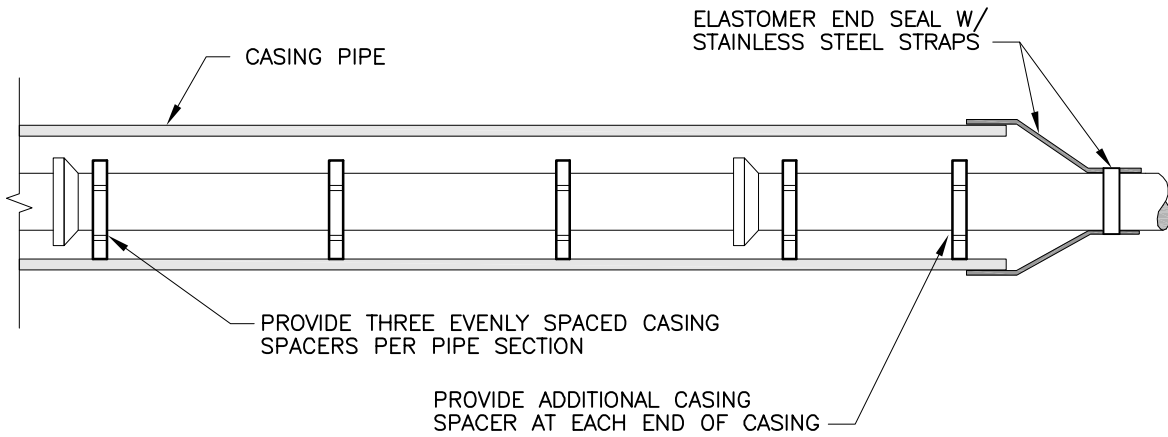
NUMBER OF RISERS PER  
MANUFACTURER'S STANDARD



CASING PIPE

CASING SPACERS  
STRAPPED TO CARRIER PIPE

CARRIER PIPE



## CASING SPACER & END SEAL